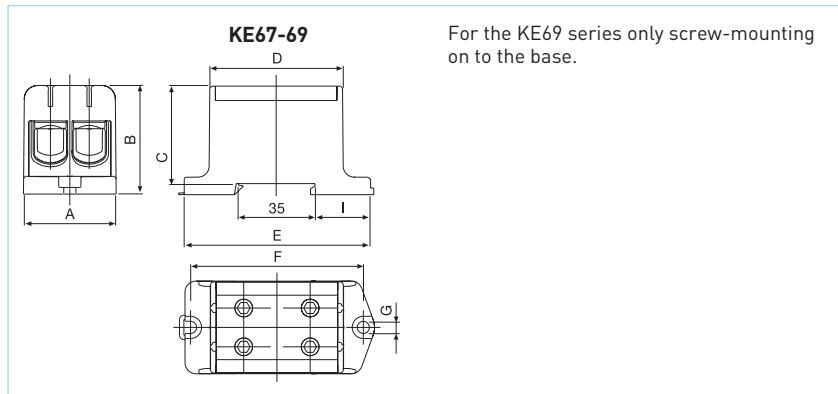
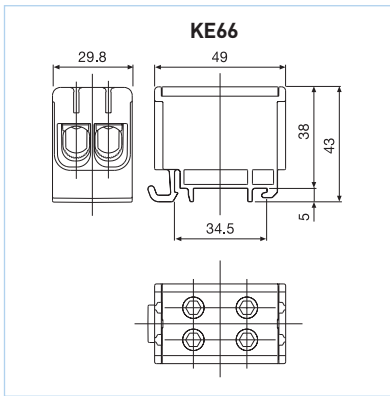


Tapping Blocks

Ensto Clampo Pro

Ensto Clampo tapping blocks accommodate four conductors and are suitable for extending or branching both aluminium and copper conductors from 2.5 mm² to 240 mm².



The use of ferrules is recommended in installations with flexible conductors* of the following cross-sections (single conductor installation):
 KE66 2.5 – 16 mm²
 KE67 16 – 35 mm²
 KE68 35 – 70 mm²
 KE69 35 – 120 mm²

The use of 240 mm² flexible conductors is not recommended.

*Class 5, according to IEC 228 Second Edition 1978

| | Measures mm | | | | | | | |
|------|-------------|----|----|----|-----|-----|-----|------|
| | A | B | C | D | E | F | G | I |
| KE67 | 42 | 49 | 44 | 60 | 86 | 78 | 5.5 | 25.5 |
| KE68 | 51.5 | 59 | 54 | 72 | 95 | 87 | 5.5 | 34.5 |
| KE69 | 64 | 67 | 62 | 97 | 130 | 120 | 6.5 | 47.5 |

| Cross-section mm ² | Product code | EAN 13 code | Colour | Nominal current (A) | | Nominal insulation voltage (V) | Nominal tightening torque (Nm) | Screw head hexagon | Weight kg |
|--|--------------|---------------|--------------|---------------------|-----|--------------------------------|---------------------------------|--------------------|-----------|
| | | | | Cu | Al | | | | |
| Cu 2.5 - 50 mm ² Al 6 - 50 mm ² | KE66 | 6418677191947 | Grey | | | | | | |
| | KE66.2 | 6418677191954 | Blue | 320 | 290 | 750 | 10 | 5 mm | 0.049 |
| | KE66.3 | 6418677191961 | Yellow-green | | | | | | |
| Cu/Al 16 - 95 mm ² | KE67 | 6418677191978 | Grey | | | | | | |
| | KE67.2 | 6418677191985 | Blue | 490 | 440 | 750 | 14 | 5 mm | 0.128 |
| | KE67.3 | 6418677191992 | Yellow-green | | | | | | |
| Cu/Al 35 - 150 mm ² | KE68 | 6418677192005 | Grey | | | | 14 (35 - 95 mm ²) | | |
| | KE68.2 | 6418677192012 | Blue | 640 | 580 | 750 | 24 (120 - 150 mm ²) | 8 mm | 0.210 |
| | KE68.3 | 6418677192029 | Yellow-green | | | | | | |
| Cu/Al 35 - 340 mm ² | KE69 | 6418677192036 | Grey | | | | 12 (35 - 70 mm ²) | | |
| | KE69.2 | 6418677192043 | Blue | 730 | 630 | 750 | 40 (95 - 240 mm ²) | 8 mm | 0.438 |
| | KE69.3 | 6418677192050 | Yellow-green | | | | | | |

Temperature class: T1
 Operating temperature: max. 80 °C

The nominal currents in the table are for maximum cross-sections.